



# Installation Guide

## Acoustic Ceiling Panel



# Contents

Preface	2
Ceiling Cloud Method	3
Adhesive Method	4
Mechanical Clip Method	5
Baffle Method	6

# Preface

## **Ceiling Preparation**

Before beginning the installation process, ensure that the ceiling is structurally sound, dry and free of imperfections (cracks, holes, etc.)

Wear gloves at all times throughout the installation process.

After preparing the ceiling for installation, dry fit the panels to the ceiling. Measure the panels and the ceiling and ensure they are straight and line up together accordingly. If required, use the utility knife and the straight edge to accurately cut the panels to the appropriate length, and cut out all penetrations.

## **Printed Panels**

Ensure that all Acoufelt QuietPrint Panels are installed at the correct orientation as provided by the Acoufelt print and installation plan to avoid any variation in pattern that may impact the overall look and feel of the finished installation.

# Ceiling Cloud Method

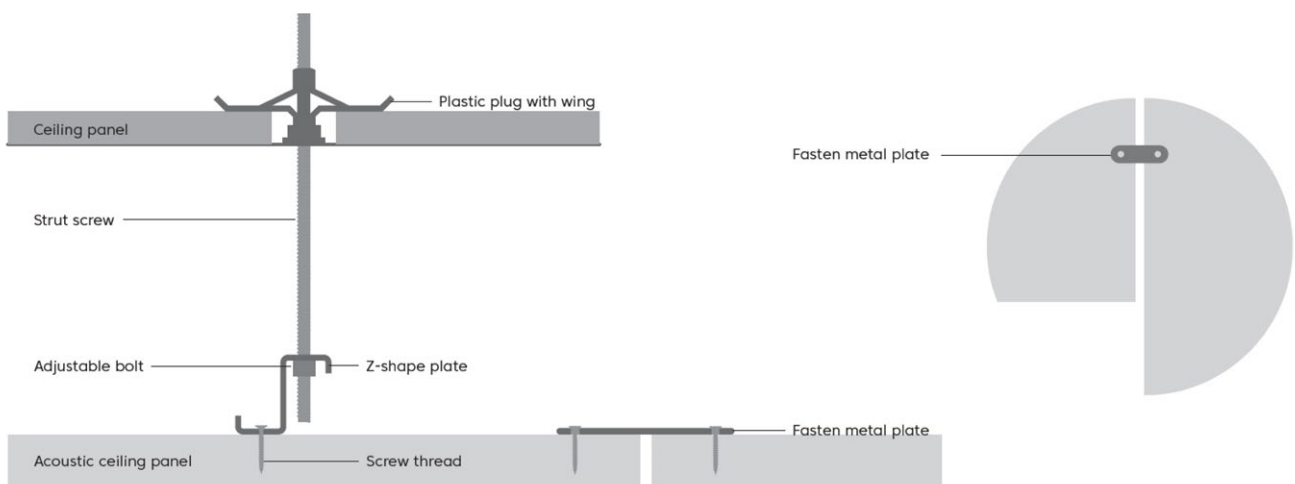
## Tools & materials required:

- Clean gloves
- Plastic plug with wing
- Strut screw and adjustable bolt
- Z-shape plate
- Fasten metal plate

## Installation Method

1. Determine hanging area and mark punching area.
2. Punch the ceiling and place the plastic wing plug on the market location.
3. Lock z-shape plate with the acoustic ceiling panel at the precise position of the plastic wing plug.
4. Lock strut screw with plastic wing plus on one side, and z-shape plate on the other side (minimum 3 strut screws for one acoustic ceiling panel).
5. Complete 3 hanging strut screws and adjust the height level by locking the nut.
6. In the case of joint ceiling panels, use two fasten metal plates to stick the two panels together.

If concerned about the screw holding in the panel apply a small amount of Construction adhesive to the screw prior to inserting into the panel.

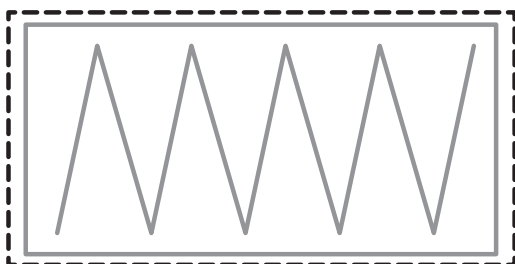


# Adhesive Method

## Tools & materials required:

- Clean gloves
- Utility knife
- Straight edge
- Measuring tape
- Caulking gun
- Liquid Nail Adhesive
- Roller
- Ladder or Scaffolding

Fig. a



- Panel installation area
- Adhesive

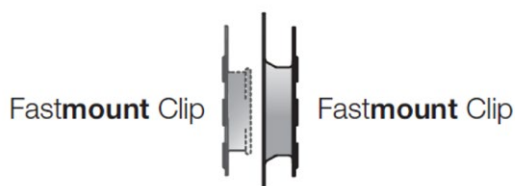
## Steps: For Adhesive Method

1. Read all installation instructions prior to installing.
2. Wear clean white gloves throughout the installation process.
3. All panels are labelled with a sticker indicating the back of the panel.
4. After preparing the ceiling for installation, dry fit (without adhesive) the panels to the ceiling. Measure the panels and the ceiling and ensure they are straight and line up. If required, use the utility knife and the straight edge to accurately cut the panels to the appropriate dimensions.
5. Trim off any excess material around joints, pipes, vents, lighting etc.
6. Using the caulking gun and liquid nails, apply the adhesive on the ceiling to be covered up by the panel. To avoid adhesive flowing through the joints when the panels are installed, apply the adhesive two finger widths away from the wall corner/join, then apply adhesive in a zig zag pattern across the centre of the application area, as shown in fig. a.
7. Keeping the ceiling panel as straight as possible, press the underside of the panel onto the wet adhesive. Apply even pressure with the roller and firmly press all areas of the panel to the wall. If required, hold the panels in place for a few minutes using poles or scaffolding.
8. Wipe away any leaked or excess adhesive from the panel before beginning the adjoining panel. Avoid any adhesive making contact with face of the panel.

# Mechanical Clip Method

## Tools required:

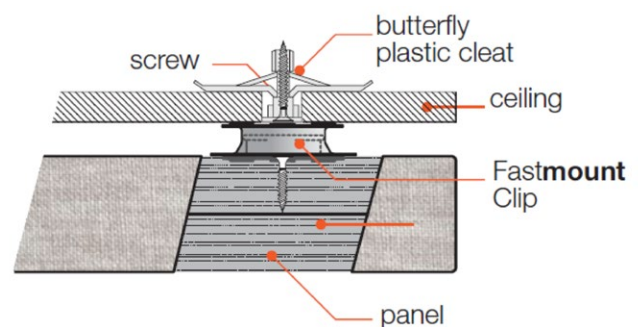
- Clean gloves
- Utility knife
- Straight edge
- Measuring tape
- Drill
- #8 Screws
- Fast Mount Wall Clips (8 per panel)
- Construction Adhesive



## Installation Method

1. Using the drill, screw the side without the insulated cover into the panel. For a 12mm ( $\frac{1}{2}$ " ) panel it is recommended to use 2 clip sets for every 2.4m<sup>2</sup> (8 ft<sup>2</sup>) so if you are applying to a standard full-size panel apply 8 clips to the edges of the panels.
2. Lock the other side of each clip together. The navigation keys (see diagrams below) will be used to make sure the holes in the wall are accurately drilled for each clip to align.
3. Stick the panel to the wall as required and press. This marks the drill positions.
4. Use the drill, attach the Fast Mount clip onto the ceiling side.
5. Place the panel next to the wall. Position Fast Mount clips to press and lock the clip.

If concerned about the screw holding in the panel apply a small amount of Construction adhesive to the screw prior to inserting into the panel.



# Z-Clip Method

## Tools & materials required:

- Clean Gloves
- Measuring tape
- Level bar
- Z-clip
- Screws
- Drill
- Adhesive spray/liquid nail
- Ladder / Scaffolding

## Steps:

1. Determine the location and layout of where the panel(s) will be mounted to the ceiling (fig. a). Ensure brackets line up with the z-clips and use acoustic glue or liquid nail to adhere the z-clips both to the ceiling and behind the panels (fig. b).

fig. a

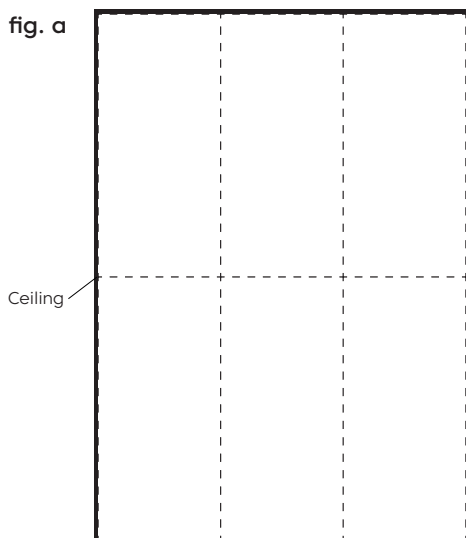
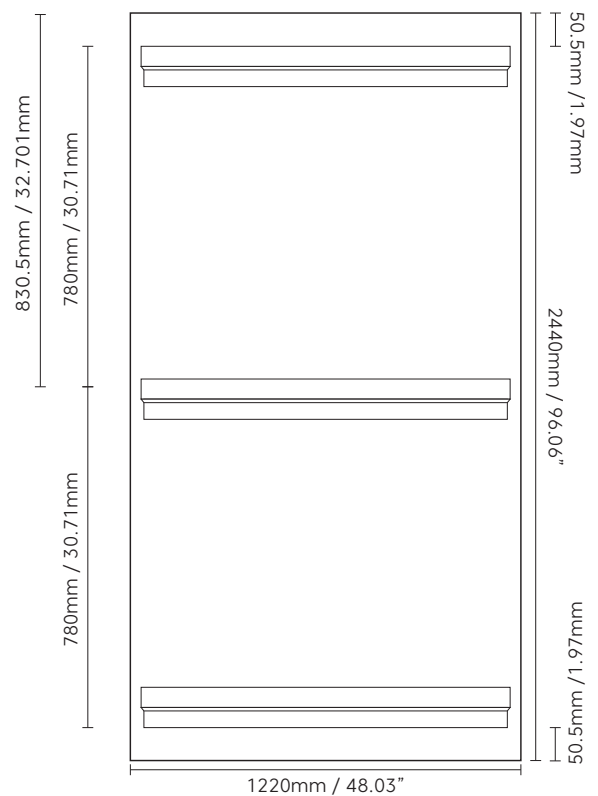


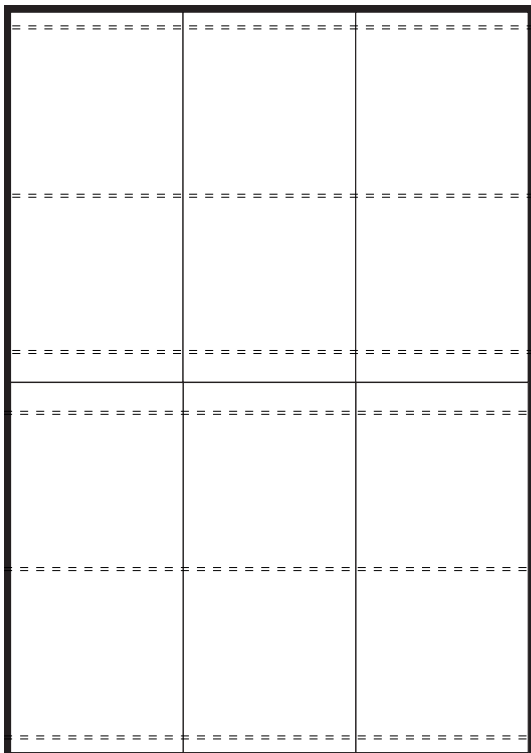
fig. b



# Z-Clip Method

2. Mirror mounting locations from panels onto the wall to line up with the z-clips on the back of the panels (fig.c).

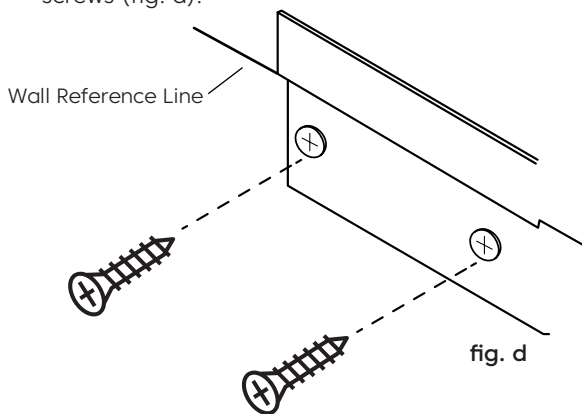
fig. c



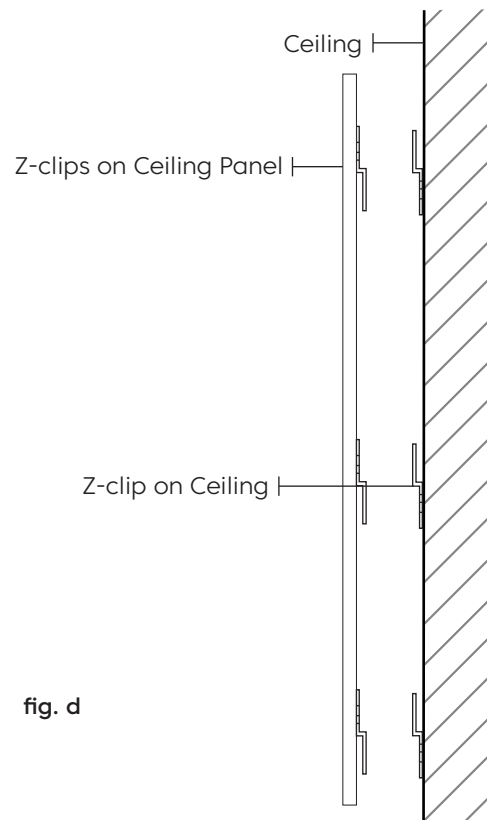


# Z-Clip Method

1. Secure the z-clips to the wall with appropriate screws (fig. d).



2. Slide panel z-clip onto the wall z-clip. Ensure panels will mount plumb and level. Repeat these steps for multiple panels (fig. d). Keep in mind it must be structurally sound to ensure the butts and patterns are well matched.



# Baffle Method

## C-Clip Method

### Tools required:

- Clean gloves
- Measuring Tape
- Drill
- C-Bracket
- Ceiling Screws or threaded rod
- Plastic anchors or mounting point

### Installation Method:

1. Determine hanging location and mark accordingly.
2. Use a drill to make a hole for hanging the strut nuts.
3. Lock strut screw with the plastic wing on one side, and Z-shape plate on the other side.
4. Complete the hanging strut screws and adjust the height level by locking the nut.
5. In the case of joint ceiling panels, use two fasten metal plates to join the panels together.
6. Attach hanging strut to baffle by sliding C-bracket over panel and using C-Bracket Attachment screw.
7. Adjust baffle to be plumb and level by adjusting hanging strut.

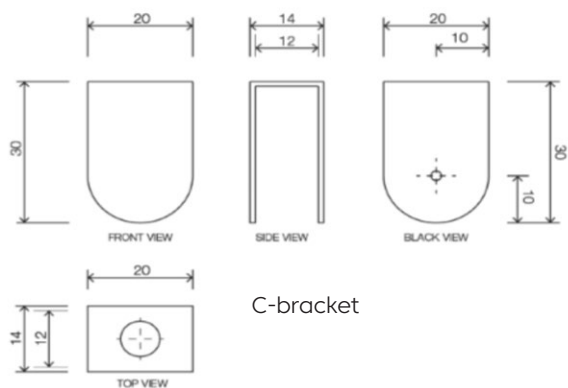
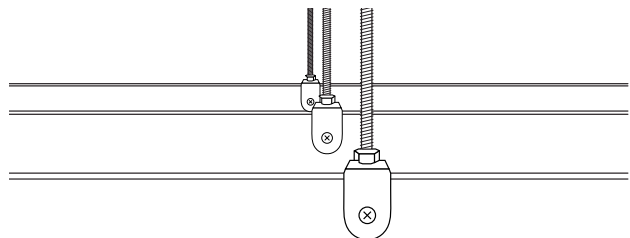


fig. a - front view



# Baffle Method

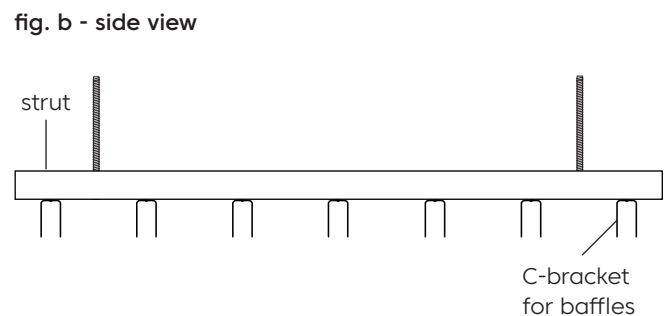
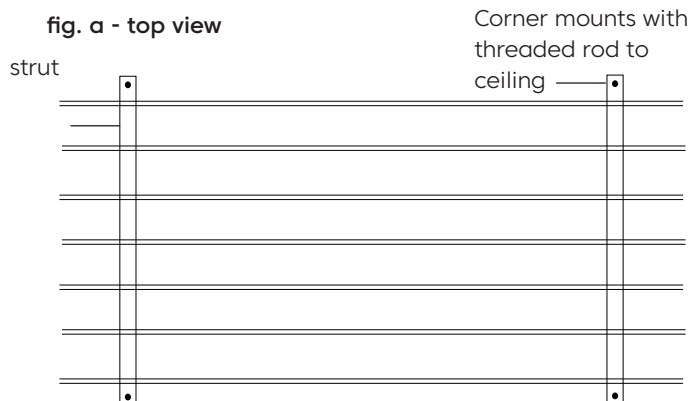
## Strut Mounting System

### Tools required:

- Clean gloves
- Measuring Tape
- Drill
- C-Bracket
- Threaded rod or mounting hardware
- Struts
- Bolts to mount C-Clip to strut
- Nuts and washers

### Installation Method:

1. Determine hanging location and mark accordingly.
2. Use a drill to make a hole for hanging the strut nuts. Allow for 4ft gaps between struts.
3. Lock strut screw with the wing on one side, and attach the C-brackets to the strut as desired.
4. Complete the hanging strut screws and adjust the height level by locking the nut.
5. Attach hanging strut to baffle by sliding C-bracket over panel and using C-Bracket Attachment screw.
6. Adjust baffle to be plumb and level by adjusting hanging strut.



# Baffle Method

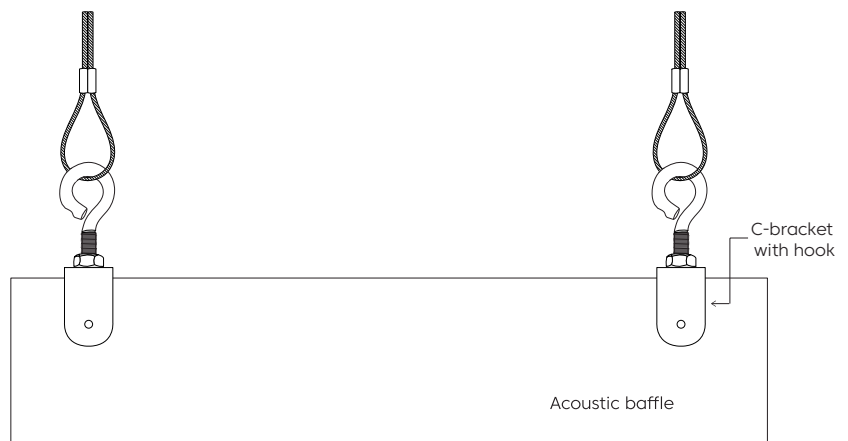
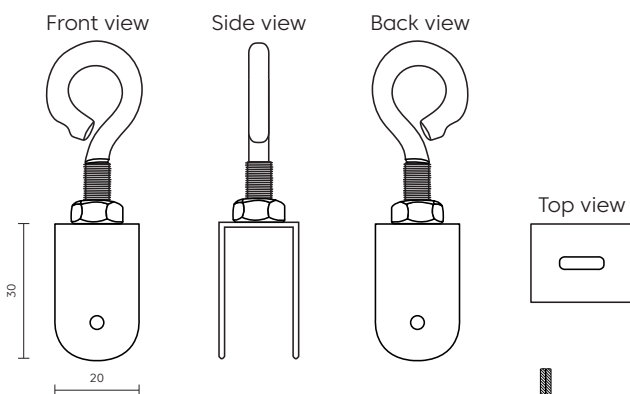
## Suspended Hanging System

### Tools required:

- Clean Gloves
- Measuring Tape
- Cordless hand drill
- Lift, ladder or scaffolding
- C-Bracket with hook
- 12 ga. Wire or aircraft cable with fasteners
- Construction Adhesive

### Installation Method:

1. Use the C-Bracket with hook shown below and attach to the baffle using screws. To Ensure stable mechanical connection, apply small amount of construction adhesive to screws prior to fastening into panel.
2. Attach 12 gauge wire or aircraft cable to the building structure using a method that complies with local building codes.
3. Once firmly attached in at least 2 locations on the baffle, lift up and align the C-bracket with hook to the previously installed 12 gauge wire or aircraft cable.
4. Ensure the 12 gauge wire or aircraft cable is firmly secured to reduce possibility of release.



# Baffle Method

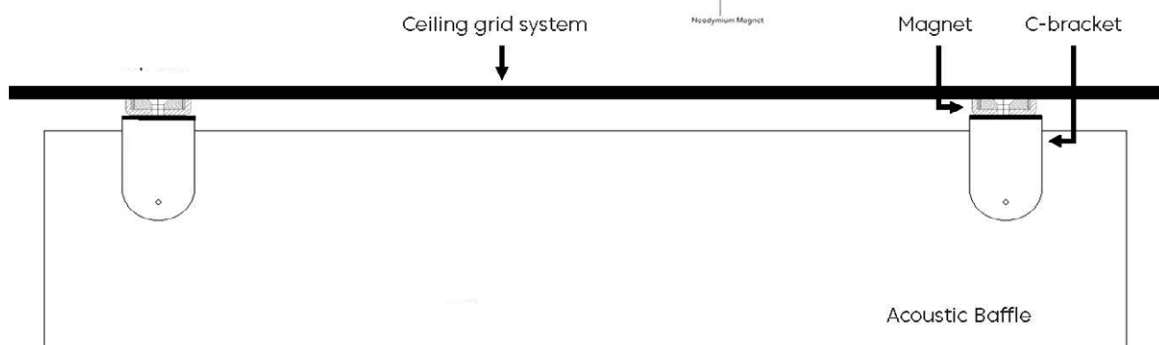
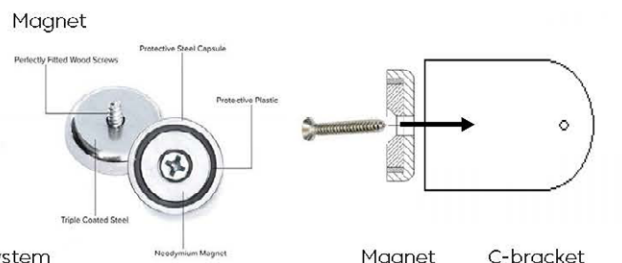
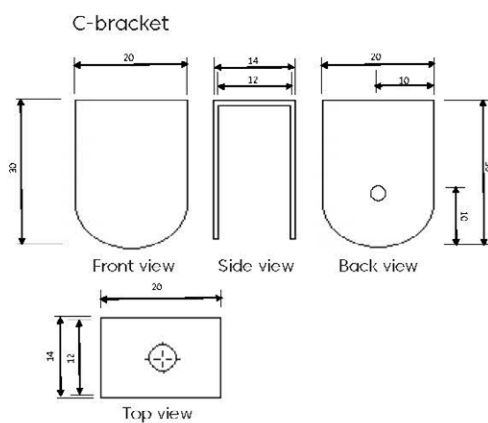
## Magnetic Hanging System

### Tools required:

- Clean Gloves
- Measuring Tape
- Cordless hand drill
- Lift, ladder or scaffolding
- C-Bracket
- Rare Earth Cup Magnet with screw
- Construction Adhesive

### Installation Method:

1. Upon installation of the T-Grid System (or other magnetic material) identify locations for the installation of the magnetic hanging clips. Ensure locations are clean and prepared for magnets.
2. Mark at least 2 locations on each baffle. Attach the C-Bracket to each of these locations with a screw.
3. Place the magnet on top of the C-Bracket with the countersunk hole facing out-wards and aligned with the hole in the top of the C-Bracket
4. To ensure stable mechanical connection, apply small amount of construction adhesive to screws prior to fastening into panel. Fasten the screw through the magnet and C-Bracket hole and into the panel.
5. Lift panel up to identified locations on magnetic surface.



acoufelt  
making quiet

[acoufelt.com](http://acoufelt.com)